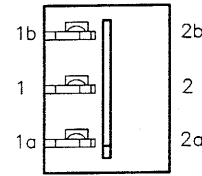
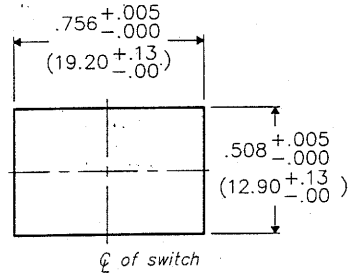
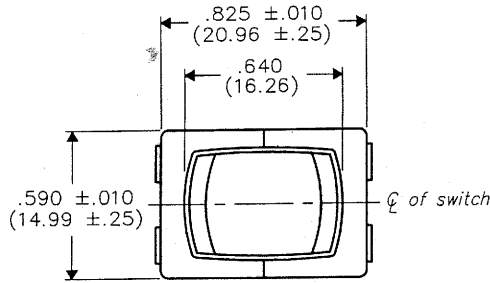


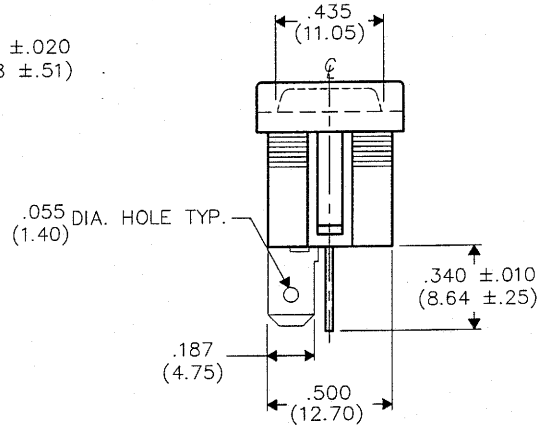
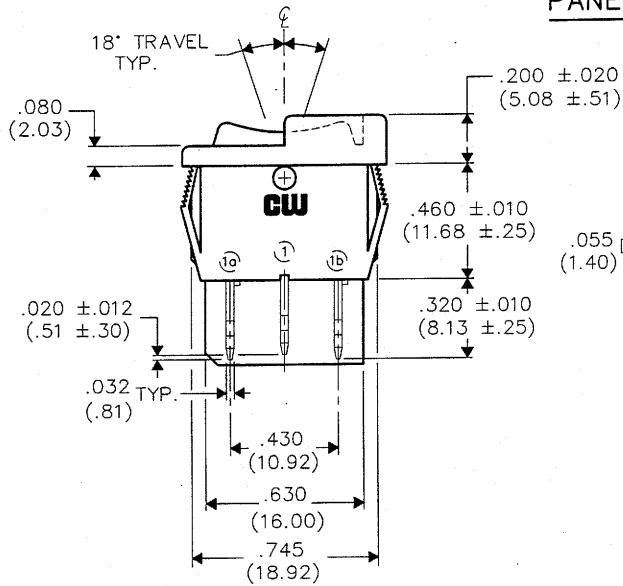
DIMENSIONS IN INCHES (MILLIMETERS)  
DO NOT SCALE DRAWING .....

Dwg. No.  
**GRS-4013C-XXXX**



**PANEL PIERCING**

**BOTTOM VIEW**



E  
D  
C  
B  
A

1 2 3 4 5 6 7 8 9 10

B-FORMAT 2002  
**REVISIONS**  
0  
RELEASED.  
DCW 8-29-2005  
AUG 31 2005

**CW INDUSTRIES**  
Southampton, Pa. 18966

Title: **ROCKER SWIDGET  
SPECIAL BEZEL  
S.P./CENTER OFF  
(MOM.-OFF-MOM.)**

TOLERANCES UNLESS OTHERWISE SPECIFIED  
2 Place Decimal ±.010 METRIC  
3 Place Decimal ±.005 1 Place Dec. ±.25mm  
Angles ..... ±1' 2 Place Dec. ±.13mm

Made for: CW IND.  
Drawn by: DGW 8-29-2005  
Checked by: *68250*  
Approval: *620*

Division: **SWITCH**  
Dwg. No.  
**GRS-4013C-XXXX**

PDF FILE MADE